



BIOLOGICAL MICROSCOPE



Labor Series



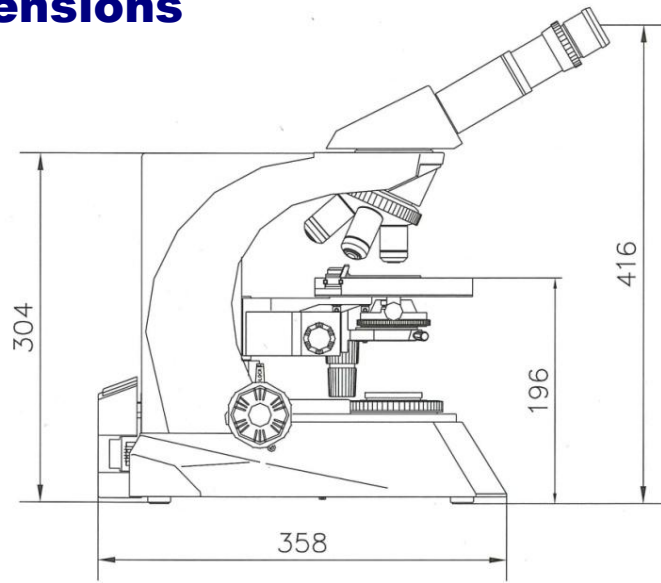
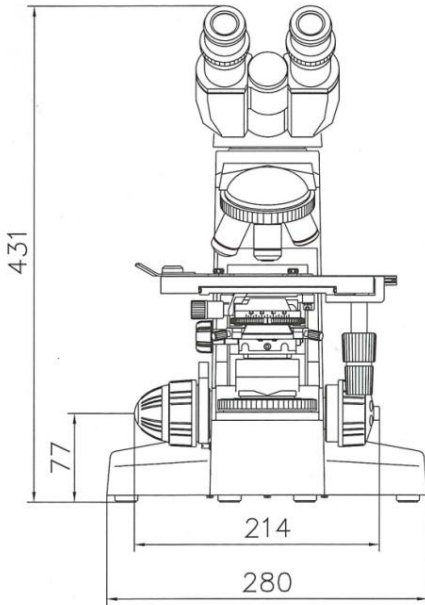
Cod. N810T

Technical Features

Magnification	40X / 1000x
Eyepiece	EWF10x/22mm
Objective	Plan
Head	Trinocular
Optical System	UIS, Universal Infinity System
Illumination	100 W Halogen Lamp

- Trinocular Head (siedentopf) inclined 30° rotation 360° - Interpupillary distance adjustment range from 48mm/75mm - and dioptré adjustment ± 5 mm. - Photo/video applications selector.
- Plan achromatic objectives UIS 4x/0.10, 10x/0.25, 40x/0.65S spring, 100x/1.25S OIL spring.
- Eyepiece Wide field EWF10/22mm. Eyepiece tube holder 30mm.
- 5-position nosepiece Revolver (click-stop) rotatable in both directions, with click locking at the objectives and inclined in order to facilitate the introduction of the glass slide.
- Specimen stage with built-in translator (double layers) and coaxial controls.
- ABBE Condenser *swing condenser* A.N. 0.9/0.25 with adjustable iris diaphragm - double condenser lens selectable – Adjustable height by dedicated control and centrable - 32mm Diameter.
- Focusing system with coaxial coarse/fine focus, tension adjustment and adjustable minimum step of 0.002 mm. Focus intensity regulation system and auto-interruption system of the table height in order to avoid slide's breaking (*Limit Stopper*).
- Compact and durable support entirely made of aluminium.
- External lighting system equipped with a field diaphragm for Koehler illumination type. Halogen bulb 6V/100W, light intensity adjustment by ergonomic rheostat placed on the stand. Centrable system.
- Power supply: 100-230 V, 50/60Hz. Output: 6V, power max: 100W.
- 44mm Filter diameter, Blue-Yellow-Green.
- Immersion oil.
- Dust cover.

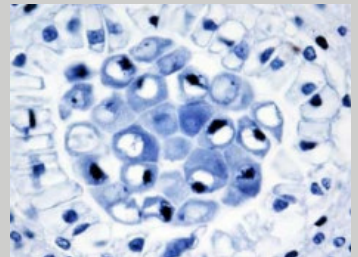
Dimensions



Unit: mm

Optional Accessories

Cod.	Description
N810	Eyepiece Pair EWF10x/22mm
N811	Eyepiece Pair WF16x/11mm
N813	Micrometric Eyepiece EWF 10x/22mm
N814	Micrometric Glass Slide 0,01 mm
N815	PLAN Turret Phase Contrast Kit 10x, 20x, 40x, 100xOIL.
N816	UIS Planar Lens 20x
N817	UIS Planar Lens 60x
N818	Dry Dark field Condenser
N819	OIL Dark field Condenser / Objective 100x for Darkfield
N820	CCD Adapter 0,5x
N820.1	CCD Adapter 1x
N821	Reflex Adapter
N822	Epi-fluorescent kit - (lighthouse, power supply, protection sheet, filters B & G)
N823	Objective UIS Plan 4x/0.13 Fluorescence Free
N824	Objective UIS Plan 10x/0.3 Fluorescence Free
N825	Objective UIS Plan 20x/0.5 Fluorescence Free
N826	Objective UIS Plan 40x/0.75 Fluorescence Free
N827	Objective UIS Plan 100x/1.3 Fluorescence Free
N828	ULTRAVIOLET Filter System
N829	VIOLET Filter System
N830	Halogen Lamp 6V 30W G4
N831	Heated stage with digital controller
N832	Blue Filter Ø 44mm
N833	Yellow Filter Ø 44mm
N834	Green Filter Ø 44mm
N836	Polarizad light Kit (polarizing filter – analyzer)
N837	Eyeguards for eyepieces (2pcs)
N838	Ergonomic Binocular Head 5° - 35°
N839	Ergonomic Trinocular Head 5° - 35°



ESSE3 srl, Via Garibaldi 30
14022 Castelnuovo D.B. (AT)
Tel +39 011 99 27 706
Fax +39 011 99 27 506
e-mail esse3@chierinet.it
web: www.esse3-medical.com

